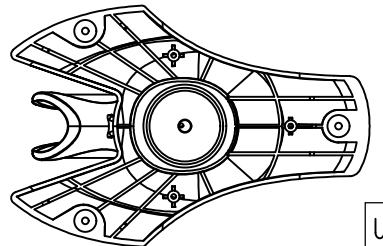
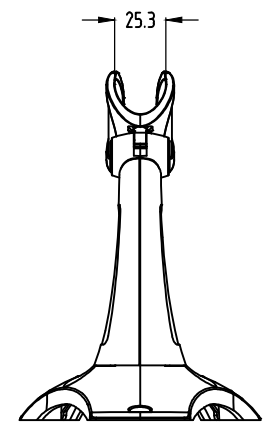
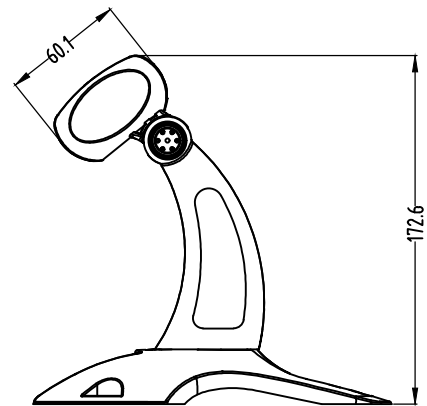
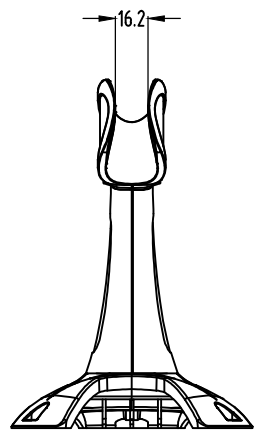
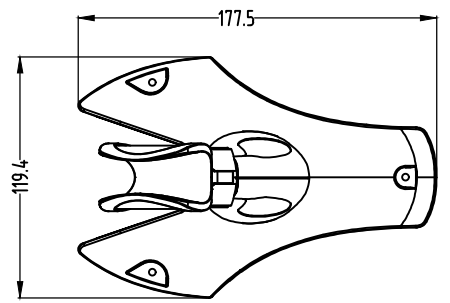


CLASSIFICATION	SERIAL	VERSION	PAGE
DIRECTION		1.0	1/1



UNITS: MM	GENERAL TOLERANCE		DRAWN: Robbie Lo	DESCRIPTION:
SCALE: 1:1	x. ±0.20	x.° ±0.20		TITLE: 万能支架
DATE: 21.08.13	.x ±0.10	.x° ±0.10	DESIGNED:	PART NO:
SHEET: 1/1	.xx ±0.05		APPROVED:	SUITABLE TYPE:
CAD NO.	FINISH:			
	⊕	◯	REV: 01	