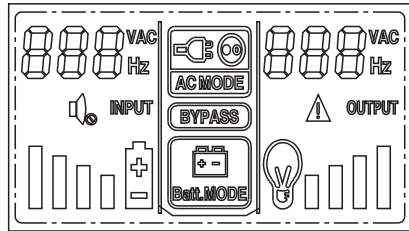


When your UPS is abnormal, please check and troubleshoot according to the UPS fault handling table. If the problem still exists, please contact the supplier or customer service center. When reporting the problem to the supplier or customer service personnel, please be sure to record and inform the above information :

UPS model (MODEL NO.), machine batch number (SERIAL NO.)

- Date of failure
- Complete problem description (including panel indicator display, buzzer condition, power condition)
- Load capacity. If it is a long run model, battery configuration should be provided.)

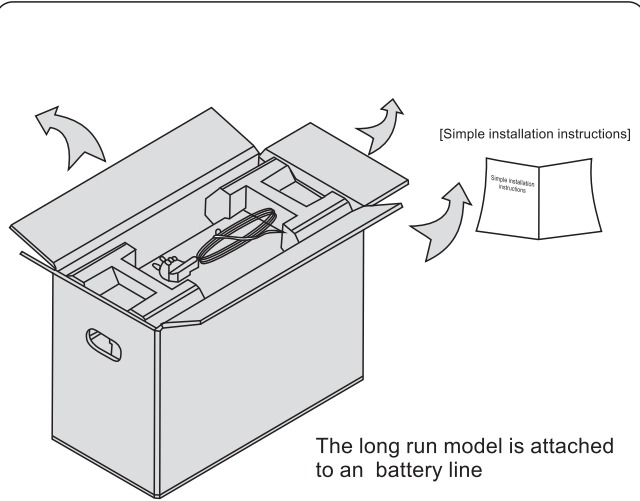
LCD panel



| LCD Monitor | Features |
|-------------|--|
| | Display power input and output voltage and frequency |
| | Display power input |
| | Display UPS output |
| | Show UPS failure |
| | Display battery capacity |
| | Show load capacity |
| | Display UPS in battery mode |
| | Display UPS in mains mode |
| | Display UPS in silent mode |

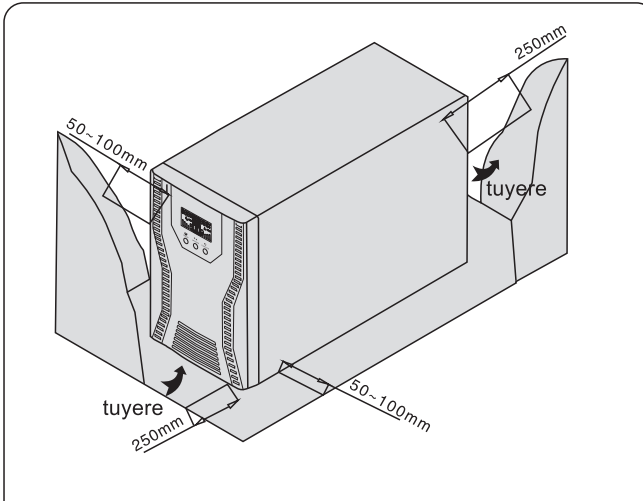
Troubles Shooting

| Problems | Possible causes | Solutions |
|---|--|--|
| error code FAL 1 6 | Internal overheat | Ensure that the UPS is not overload, the ventilation opening is not blocked and indoor temperature is not too high. Wait for 10 minutes to make the UPS cool down, then restart it. If failure, please contact the distributor or service center |
| error code FAL 1 5 | Output short circuit or internal fault | Shut off the UPS, remove all the load and confirm the load no faulty and short circuit. Then restart the UPS. If failure, please contact the distributor or service center |
| error code FAL 1 4 | Internal fault | Please contact the distributor or service center |
| error code FAL 1 3 | Over charging protection | UPS charger is defective, please contact the distributor or service center |
| error code FAL 1 2 | The UPS is overload or the load device is faulty in battery mode | Check the load and remove the non-critical devices. Recalculate the load power and reduce the quantity of connected load devices to UPS. Check whether the load device is faulty |
| The buzzer rings every second. | Battery voltage is too low | Please contact with your supplier |
| The AC is normal, the UPS is deprived of electricity. | The UPS input circuit breaker disconnects | Manually reset the circuit breaker |
| Battery discharging time is short. | Low battery | Keep UPS connecting to the AC power for more than 10 hours to recharge the battery. |
| | UPS overload | Check the load level and remove non-critical equipment. |
| | As the battery ages, its capacity decreases. | Please contact with your supplier |
| After pressing the power button, UPS cannot be started. | Time to press the power button is too short | Press the power button for more than three seconds, start the UPS. |
| | Internal failure of UPS | Please contact with your supplier |



1

Open the carton, unpack the carton and take out UPS. A "User manual" and a "Simple Operation guide" are attached inside the carton, please follow the "Simple installation Operation Guide" to operate.



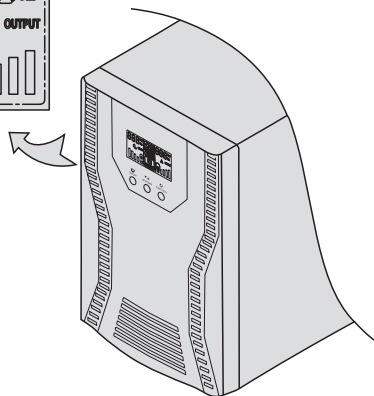
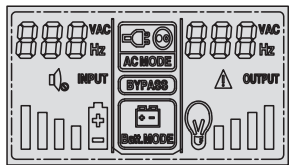
2

Keep both sides and obstacle distance more than 50-100mm

Place UPS away from water, in a clean, non-combustible, vibration-free, well-ventilated environment.

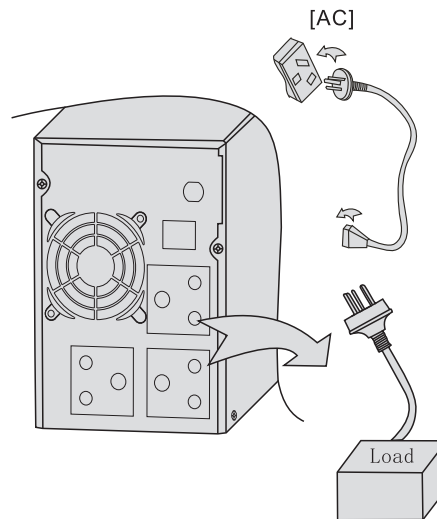
4

Connected to AC power, press " on/off " button for a second, if the AC power is normal, UPS is converted into inverter service.



3

The UPS input is connected to the AC power, and the output socket is connected to the load. The total output power shall not exceed the rated power of the machine.



Technical Parameter

| | |
|------------------------------------|---|
| Model | 3000VA |
| Input Voltage Range | 145-280 ± 5VAC |
| Input Frequency | 50Hz |
| Voltage | 175VAC |
| Output Voltage | 220VAC ± 10% |
| Frequency Range | 50HZ ± 1HZ |
| Transfer Time | <6ms |
| Waveform | Pure sine wave |
| Battery Type &Quantity | 12V7.2AH*4 |
| Battery Standby Time | About 7 minutes(half load) |
| Battery Charging Time | 4 hours to 90% of full capacity |
| LED Indicators -AC mode | AC mode,load level,battery capacity |
| LED Indicators -Battery mode | Battery capacity |
| Audible Alarm -Battery mode | Alarm beeps every six seconds |
| Audible Alarm -Low Battery | Alarm beeps every second |
| Audible Alarm -Overload | Alarm beeps every 0.5 second (Alarm beeps twice every second) |
| Audible Alarm -Fault | Alarm beeps continuously |
| Overload Protection (AC mode) | Overload protection and circuit breaker |
| Overload Protection (Battery Mode) | Circuit breaker |
| Comprehensive Protection | Overload,deep discharge and over-charge protection |
| Environment and Humidity | 10%~90% |
| Dimensions | 405X144X213mm |

*:The initial value of the new battery will change with the working environment and discharge frequency.